

Universal Bicycle Phone Holder

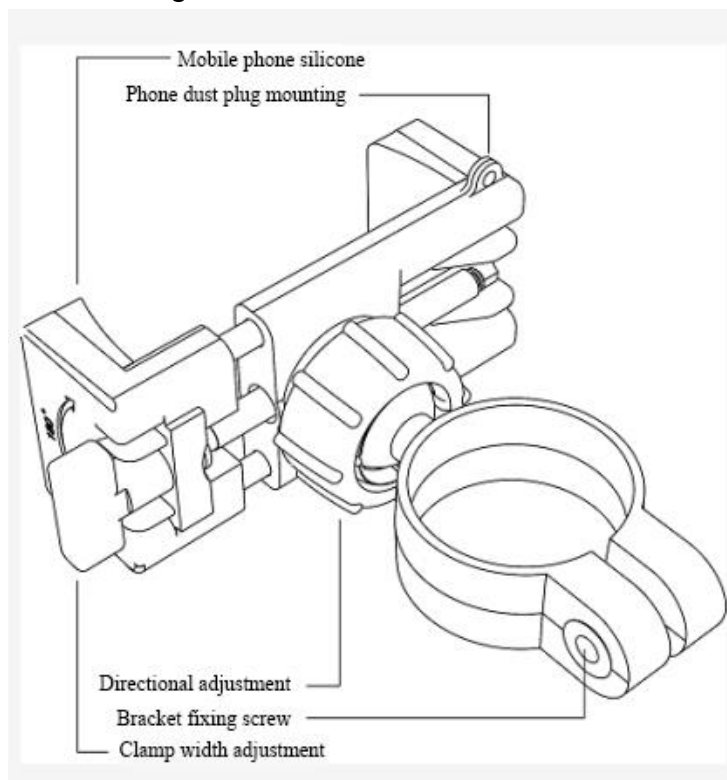
Raptor T6 User Manual

1.Function Description:

Raptor T6 is a universal mobile phone holder, It can be installed on mountain bikes, road bikes, folding bikes, moped, electric bikes and motorcycles. It is composed of high-grade PC plastic, alloy material, silicone and other components, It is simple to operate, easy to install, lightweight and beautiful, easy to carry and excellent stability..

Product Name:	Universal Phone Holder	Model:	Raptor T6
Color:	black, white, blue, red	Material:	PC plastic + alloy + silicone
Compatible phone size	3.0-6.5(in)	Net weight:	2.39(oz)
Installation location	Horizontal handlebar of bicycle	Size of clip:	5.5-8.5CM
angle of rotation	360° 3D	Anti-rustl:	Yes

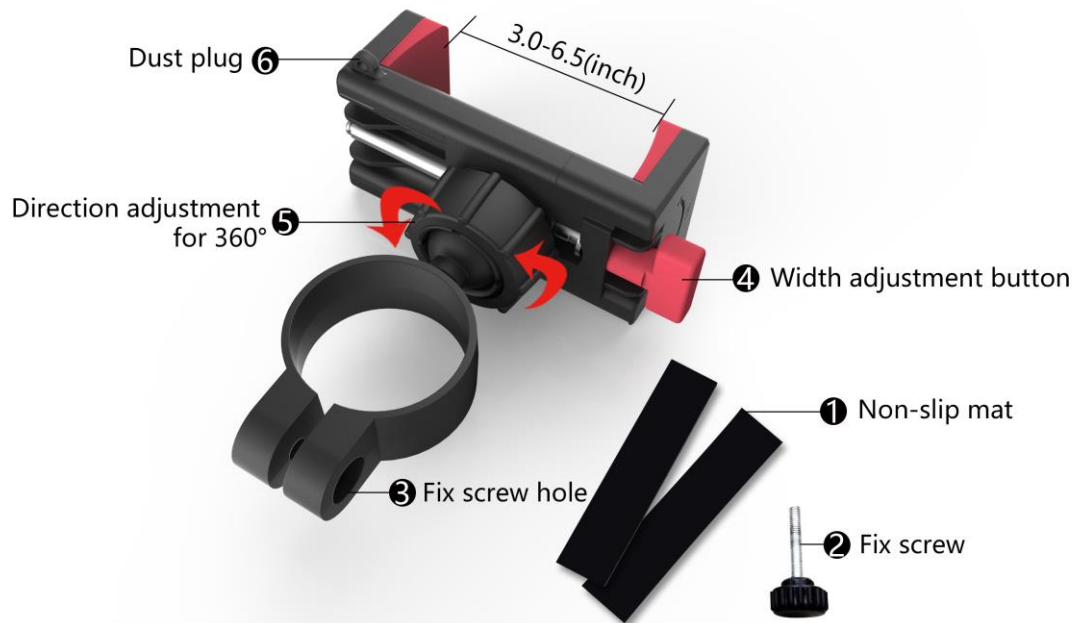
Product diagram:



Accessories:

Non-slip mat x2 ,at 2 sheets, headphone dust plug x1, Manual x1,

2.Installation and usage



- (1) According to the size of diameter selection thin or thick anti-skid mat.
- (2) Select a fixed position; rotating bracket fixing screw, fixed mobile phone holder.
- (3) Adjust the width of the adjustment screw, adjust the width, then put in the phone.
- (4) Adjust the direction and adjust the nut tightness, to suit our mobile phone rotation shall prevail. According to the road conditions, the elasticity can be adjusted by itself.
- (5) Adjust the width and adjust the screw to fit the phone size width.
- (6) Tight in the opposite direction, fixed your phone.

After installed, you can arbitrarily adjust your phone direction, take pictures etc.

3.Take the phone: Rotate the fixed switch in the opposite direction until take the phone.

Note:

T6 dust plug is generally used for long-distance riding to prevent flying insects or fly dust into the phone inside.

Do not use this equipment if the phone structure is broken.

T6 is patented product of intellectual property certificate in China.

4. Product Q&A:

If you have some unresolved questions when you use this product, It can be resolved following questions by yourself:

Q: Can the phone holder support upright or horizontally?

A: Yes, It can 360° three-dimensional rotation, through the universal joint of the rotating nut to adjust and reach the angle for your needs.

Q:Can the phone holder clamp a mobile phone on the bumpy road?

A: Yes, it can, we use the stainless steel screw fixed, and a folder of silicone wrapped buffer cushioning,after long riding mobile phone is still firmly safe. There will be no loose and jitter situation.It will not be out of the phone.

Q: If the folder is too tight whether or not hurt the phone?

A: Raptor T6 mobile phone clip, using the imported silicone and PC one molding, the protection of the phone, shock, anti-off, are much better than the market paste products. And in the service life, flexibility, toughness, the performance are even better.

Q:Mobile phone holder, folder mobile phone riding a large vibration, will not affect? Will it hurt the phone frame?

A: Raptor T6 bracket clip, using the latest technology integrated molding package imported silicone, flexibility, flexibility, stability are top, generally used in military and heavy industry. Not only will not hurt the phone frame and stability, but also convergence are very excellent.

Tips: If the above QA still can not solve your problem, please contact our customer service.